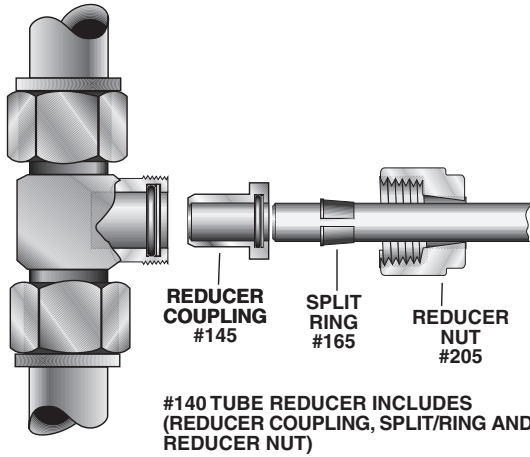


"O-RING SEAL"

COMPONENTS & ACCESSORIES

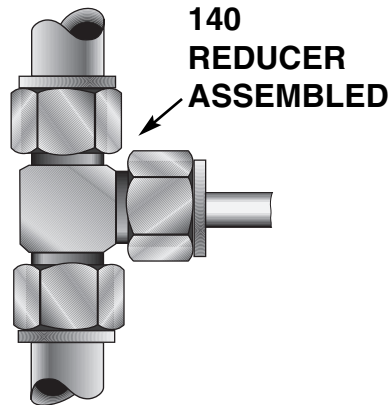
140 "O-RING SEAL" TUBE REDUCER ADAPTERS



**Compact!
Saves Time! Simplifies
Systems! Eliminates
Large Inventories Of
Special Fittings**

The Lenz exclusive Tube Reducer Adapter makes possible line reductions on any leg by the use of standard adapters and adapter nuts.

Note: When reducer is ordered as part of a fitting, credit will be given for the standard nut and tube sleeve which are replaced by the reducer nut and reducer tube sleeve.



140 • "O-RING SEAL" TUBE REDUCER ADAPTERS

Part No.	Tube End Reduction	Nut Hex	Increase In Fitting Length
140-6-4	3/8"-1/4"	3/4"	9/32"
140-6-5	3/8"-5/16"	3/4"	9/32"
140-8-4	1/2"-1/4"	1"	No Change
140-8-5	1/2"-5/16"	1"	3/16"
140-8-6	1/2"-3/8"	1"	3/16"
140-10-4	5/8"-1/4"	1 1/8"	1/16" Shorter
140-10-5	5/8"-5/16"	1 1/8"	1/16" Shorter
140-10-6	5/8"-3/8"	1 1/8"	1/16" Shorter
140-10-8	5/8"-1/2"	1 1/8"	5/16"
140-12-4	3/4"-1/4"	1 1/4"	1/16" Shorter
140-12-5	3/4"-5/16"	1 1/4"	1/16" Shorter
140-12-6	3/4"-3/8"	1 1/4"	1/16" Shorter
140-12-8	3/4"-1/2"	1 1/4"	9/32"
140-12-10	3/4"-5/8"	1 1/4"	11/32"
140-14-6	7/8"-3/8"	1 3/8"	3/32" Shorter
140-14-8	7/8"-1/2"	1 3/8"	1/32"
140-14-10	7/8"-5/8"	1 3/8"	5/16"
140-14-12	7/8"-3/4"	1 3/8"	11/32"
140-16-6	1"-3/8"	1 5/8"	3/16" Shorter
140-16-8	1"-1/2"	1 5/8"	1/16" Shorter
140-16-10	1"-5/8"	1 5/8"	No Change
140-16-12	1"-3/4"	1 5/8"	1/4"
140-16-14	1"-7/8"	1 5/8"	9/32"
140-20-6	1 1/4"-3/8"	2"	5/16" Shorter
140-20-8	1 1/4"-1/2"	2"	3/16" Shorter
140-20-10	1 1/4"-5/8"	2"	1/8" Shorter
140-20-12	1 1/4"-3/4"	2"	3/32" Shorter
140-20-14	1 1/4"-7/8"	2"	1/16" Shorter
140-20-16	1 1/4"-1"	2"	11/32"
140-24-8	1 1/2"-1/2"	2 1/4"	5/16" Shorter
140-24-10	1 1/2"-5/8"	2 1/4"	1/4" Shorter
140-24-12	1 1/2"-3/4"	2 1/4"	7/32" Shorter
140-24-14	1 1/2"-7/8"	2 1/4"	3/16" Shorter
140-24-16	1 1/2"-1"	2 1/4"	3/32" Shorter
140-24-20	1 1/2"-1 1/4"	2 1/4"	11/32"
140-32-8	2"-1/2"	3"	1/2" Shorter
140-32-10	2"-5/8"	3"	7/16" Shorter
140-32-12	2"-3/4"	3"	13/32" Shorter
140-32-14	2"-7/8"	3"	3/8" Shorter
140-32-16	2"-1"	3"	5/16" Shorter
140-32-20	2"-1 1/4"	3"	3/16" Shorter
140-32-24	2"-1 1/2"	3"	1/16" Shorter

205P PLUG TO PLUG O-RING FITTING END USED WITH 205 NUT



205P Plug • To Plug O-Ring Fitting End Used With 205 Nut

Part No.	Tube O.D.	Length
205P-2	1/8"	25/64"
205P-4	1/4"	1/2"
205P-5	5/16"	1/2"
205P-6	3/8"	9/16"
205P-8	1/2"	9/16"
205P-10	5/8"	9/16"
205P-12	3/4"	19/32"
205P-14	7/8"	19/32"
205P-16	1"	23/32"
205P-20	1 1/4"	23/32"
205P-24	1 1/2"	27/32"
205P-32	2"	7/8"